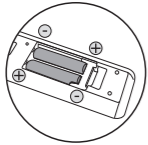


4. Prepare

1 After all the connections are complete, connect the AC power cord.

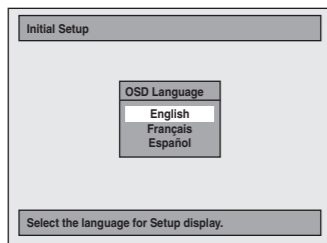
2 Insert two Size AA (1.5V).



3 Press [ON] to turn On the unit.

4 Turn On your TV.

5 Press the button on the TV's remote control that accesses the external input channel repeatedly until you see "Initial Setup" menu. (Please refer to your TV's owner's manual.)



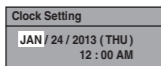
If the TV is connected by an HDMI cable, it may take a while for the "Initial Setup" menu to come up.

6 Use [▲/▼] to select your desired language, then press [OK].

7 Use [▲/▼] to select calendar or time, then press [OK].



8 Use [◀/▶] to select an item to set, and use [▲/▼] to select the contents to suit your preference, then press [OK] when you finish setting all the contents.



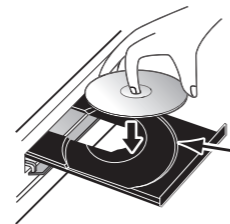
Your setting will be activated.
The clock starts counting when you press [OK].

5. Record(DVD)

This Recorder only record on DVD-RW/-R, cannot record on DVD+RW/+R.

Press [DVD] first.

1 Insert a recordable disc (refer to page 24 in the Owner's Manual on how to insert a disc).



Align the disc to the disc tray guide.

2 Press [REC MODE] repeatedly to select a recording mode.

3 Press [INPUT SELECT] to select the appropriate external input position (L1/L2) to which your external tuner is connected. Then select the desired channel to record on the external tuner.

4 Press [REC] to start recording.

5 Press [STOP] to Stop recording.

The title list will appear automatically after writing to a disc is completed.

e.g.) DVD-R



• Press [STOP] to exit the title list.

You will need to finalize DVD-RW or DVD-R to play them back on other DVD players. Refer to page 42 in the Owner's Manual on how to finalize a disc.

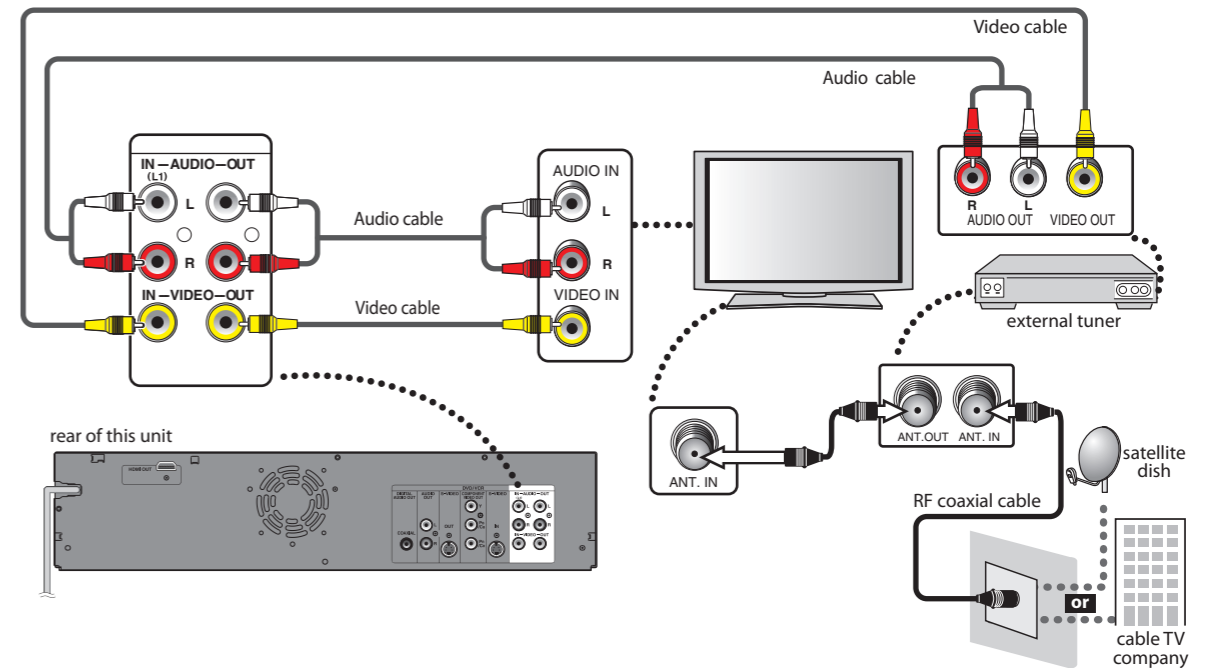
Quick Start Guide

ZV427FX4
ZV427FX4 A

DVD Recorder/VCR LINE-IN RECORDING (No Tuner)

1. Connecting to an External Tuner ▶ 2. Select ▶ 3. Connect ▶ 4. Prepare ▶ 5. Record (DVD)

1. Connecting to an External Tuner



For more info, please contact **1-877-393-8624** or visit : www.funaiamerica.com

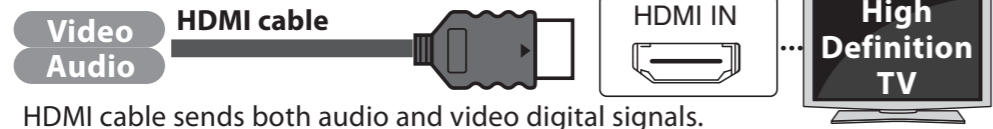


Please read the supplied Owner's Manual for the detailed instructions.



2. Select the appropriate connection

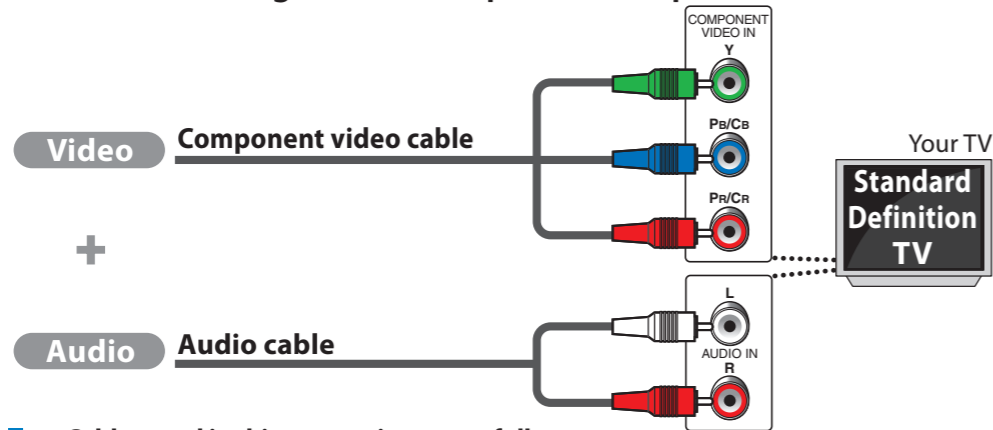
Best Progressive-compatible (1080p)



HDMI cable sends both audio and video digital signals. (No additional audio connection is required.)

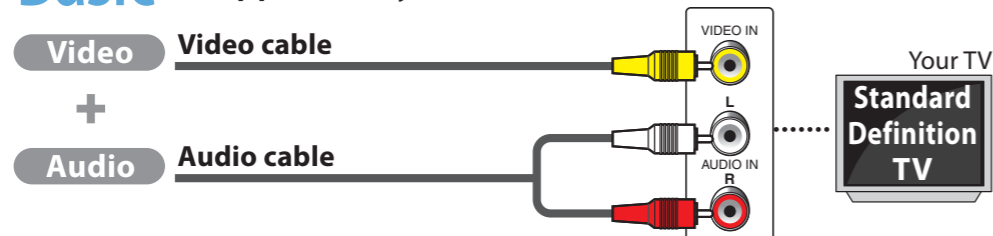
- HDMI cable not included.** High Speed HDMI Cable (also known as HDMI category 2 cable) is recommended for the better compatibility.

Better Progressive-compatible(480p)



- Cables used in this connection are as follows:**
 - Audio cable (L/R) x 1 (Included)
 - Component video cable x 1 (Cable not included.)

Basic Supports only 480i resolution.



Refer to "Connecting to a TV with an S-Video Input Jack" on page 17 in the Owner's Manual for the connection using an S-video cable.

- Cables used in this connection are as follows:**
 - Audio cable (L/R) x1 (Included)
 - Video cable x1 (Included)

3. Connect

