



CLASSIC LP

Quickstart Guide

English (3 – 5)

Guía de inicio rápido

Español (6 – 9)

Guide d'utilisation rapide

Français (10 – 12)

Guida rapida

Italiano (14 – 17)

Kurzanleitung

Deutsch (18 – 21)

Snelstartgids

Nederlands (22 – 25)

Snabbstartsguide

Svenska (26 – 29)

Pikakäyttöopas

Suomi (30 – 33)

Quickstart Guide (English)

Make sure that the items listed below are included in the box:

- CLASSIC LP
- Power adapter
- USB cable
- 45 RPM Adapter
- Pre-Mounted Slipmat
- Software CD
- Quickstart Guide
- Safety Instructions & Warranty Information

READ SAFETY INSTRUCTION BOOKLET BEFORE USING THE PRODUCT

Go to ionaudio.com for product registration.

Using CLASSIC LP With Your Computer

Recording

To record music to your computer, you can use ION EZ Vinyl/Tape Converter. EZ Vinyl/Tape Converter conveniently saves your recordings to your computer. After you finish converting your vinyl, you can then burn to CD or load onto portable media devices.

To install the software, insert the included CD into your computer, and follow the on-screen instructions.

1. With EZ Vinyl/Tape Converter installed on your computer, use the included USB cable to connect CLASSIC LP's USB port to an available USB port on your computer.
2. On your computer, you can open EZ Vinyl/Tape Converter by going to **Start Menu ► All Programs** (Windows) or the **Applications** menu (Mac).
3. Follow the on-screen instructions to set up your recording. When prompted to play your music, move CLASSIC LP's tonearm over the record to start playback.

Note: To listen to a record while it's playing, listen through your computer's speakers, or connect CLASSIC LP's RCA outputs to a stereo system or powered speakers. Do **not** connect them to phono-level inputs; CLASSIC LP's RCA outputs are line-level and could damage a device with phono-level inputs.

4. When you have finished recording, raise CLASSIC LP's tonearm from the record and return it to its arm clip.

Visit ionaudio.com/computer-optimization for more information on optimizing your computer for audio.

Playback

You can listen to the music on your computer through its internal speakers or through headphones connected to it. (CLASSIC LP cannot be used as a playback device for your computer's audio.)

To listen to a **record** while it's playing, listen through your (connected) computer's speakers, or connect CLASSIC LP's RCA outputs to a stereo system or powered speakers. Do **not** connect them to phono-level inputs; CLASSIC LP's RCA outputs are line-level and could damage a device with phono-level inputs.

Features

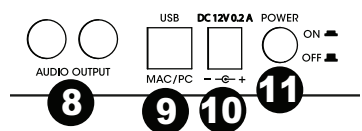
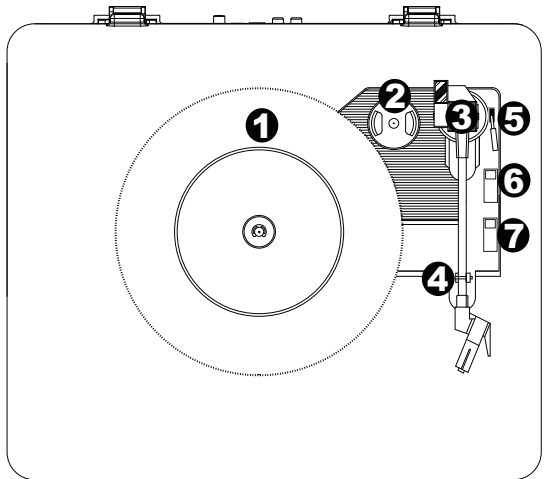
1. **Platter** – Place your record here.
2. **45 RPM Adapter Holder** – Holds the included 45 RPM adapter. When not using the adapter, please place it in this holder.
3. **Tonearm** – The tonearm can be raised and lowered by hand, or by pressing the raise / lower lever.
4. **Arm Clip** – This specially designed arm clip secures the tonearm while at rest or when not in use. The arm clip has been designed to remain in the up position while unlocked.
5. **Raise / Lower Lever** – Raises and lowers the tonearm.
6. **33 / 45 / 78 Switch*** – This switch controls the RPM of the turntable platter.

Note: For best results when playing 78 RPM vinyl records, use a 78 stylus (sold separately). Only use a 78 stylus with 78 RPM vinyl records. Purchase the iCT06rs 78 stylus at ionaudio.com/ict06rs.

7. **Autostop switch** – This switch turns autostop on or off. When autostop is on, the platter will start spinning when the tonearm is placed over the record and stop spinning when the record has reached the end. (When autostop is off, the platter will always spin regardless of the position of the tonearm.)

Note: If your vinyl record stops before it reaches the end of the music, turn Autostop to the off position for this particular record. This is generally recommended for 45 RPM records.

8. **RCA Output**** – The audio from a playing vinyl record is sent to this line-level coaxial audio output. This must not be connected to phono level devices.
9. **USB Audio Output** – Use the included USB cable to connect your turntable to your computer. The USB connection will send audio from the turntable to your computer. Please see the **Using Classic LP With Your Computer** section of this manual for information.
10. **Power Cable Input** – Use the included adapter to connect to wall power.
11. **Power Button** – Press this button to turn CLASSIC LP on/off.



IMPORTANT: Remove the plastic cartridge cover (needle cover) before operating the turntable.

*If needed, you may adjust the speed of the turntable platter. On the underside of CLASSIC LP, remove the rubber plugs and tighten/loosen the appropriate screw with a screwdriver.

****WARNING:** The RCA outputs are LINE level. Please only connect these to LINE level inputs. You may damage your receiver if you plug in a LINE level device into a PHONO level input.

Troubleshooting

If you experience any difficulties, please refer to the troubleshooting steps below as well as those in the EZ Vinyl/Tape Converter manual included with this product.

If you are recording to a **computer**:

- Make sure that CLASSIC LP is powered on and that the needle is on the record.
- Make CLASSIC LP is selected as your computer's default recording device (see the instructions below).
- If you are listening through your computer's speakers, make sure those speakers are selected as your computer's default playback device (see the instructions below). Alternatively, you could connect CLASSIC LP's RCA outputs to a stereo system or powered speakers. Do **not** connect them to phono-level inputs; CLASSIC LP's RCA outputs are line-level and could damage a device with phono-level inputs.
(Note: The RCA outputs monitor the signal coming out of the turntable, not the signal coming from your computer.)
- Disconnect then reconnect the USB cable connecting CLASSIC LP to your computer.

I'm not hearing any audio when playing music:

- If you are playing music from **vinyl**:
 - Make sure that CLASSIC LP is powered on and that the needle is on the record.
 - Connect CLASSIC LP's RCA outputs to a stereo system or powered speakers. (Do **not** connect them to phono-level inputs; CLASSIC LP's RCA outputs are line-level and could damage a device with phono-level inputs.)
- If you are playing music from your **computer**:
 - Make sure your software music player's volume is turned up.
 - Make sure your computer's volume is turned up.
 - Make sure your computer's speakers are selected as your computer's default playback device (see the instructions below). (CLASSIC LP cannot be used as a playback device for your computer's audio.)

I am hearing a Hum through my speaker or laptop when using the turntable:

- If you are recording to a laptop:
 - Please connect the laptop to a grounded power supply (3 prong)
- If you are playing through a speaker:
 - Please connect to a grounded (3 prong) power supply.

My record is not playing at the correct speed; its pitch is too high or too low:

- Ensure the 33 / 45 / 78 switch is set to the correct speed for your record.
- If the 33 / 45 / 78 switch is set correctly and the speed is still slightly off, do the following:
 1. On the underside of CLASSIC LP, find the rubber pad with the RPM speed you want to adjust, and gently lift up the rubber pad to remove it.
 2. Push through the rubber seal, and tighten/loosen the screw using a Phillips-head screwdriver to fine-tune the RPM speed.

Setting Your Computer's Soundcard as the Default Playback Device

- **Windows XP:** Click **Start Menu** ► **Control Panel** (or Settings ► Control Panel in Classic View) ► **Sound and Audio Devices**. Click the **Audio** tab and under **Sound playback**, select your computer's soundcard as the default device.
- **Windows Vista:** Click **Start Menu** ► **Control Panel** (or Settings ► Control Panel in Classic View) ► **Hardware and Sound** ► **Sound**. Click the **Playback** tab and select your computer's soundcard as the default device.
- **Windows 7/Windows 8:** Click **Start Menu** ► **Control Panel** ► **Sound**. Click the **Playback** tab and select your computer's soundcard as the default device.
- **Mac:** Click the upper-left "apple" icon then click **System Preferences** ► **Sound**. Click the **Output** tab. From the menu, select **Internal Speakers** if you are using the computer's internal speakers or select **Headphones** if you are using speakers or headphones attached to the computer's 1/8" headphone output.

Setting CLASSIC LP as the Default Recording Device

- **Windows XP:** Click **Start Menu** ► **Control Panel** (or Settings ► Control Panel in Classic View) ► **Sound and Audio Devices**. Click the **Audio** tab and under **Sound recording**, select CLASSIC LP as the default device.
- **Windows Vista:** Click **Start Menu** ► **Control Panel** (or Settings ► Control Panel in Classic View) ► **Hardware and Sound** ► **Sound**. Click the **Recording** tab and select CLASSIC LP as the default device.
- **Windows 7/Windows 8:** Click **Start Menu** ► **Control Panel** ► **Sound**. Click the **Recording** tab and select CLASSIC LP as the default device.
- **Mac:** Click the upper-left "apple" icon then click **System Preferences** ► **Sound**. Click the **Input** tab. From the menu, select CLASSIC LP as the device.

BEFORE RETURNING THE PRODUCT, please contact ION Audio or your retailer for technical support. Contact information can be found in the Safety Instruction Booklet included with this product.

ionaudio.com