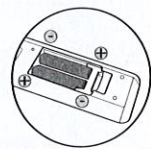


4. Prepare

1 After all the connections are complete, connect the AC power cord.

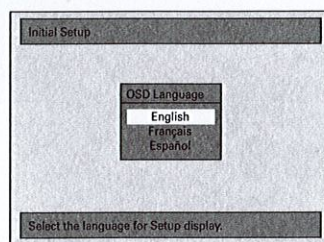
2 Insert two Size AA (1.5V).



3 Press [⏻] to turn On the unit.

4 Turn On your TV.

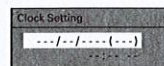
5 Press the button on the TV's remote control that accesses the external input channel repeatedly until you see "Initial Setup" menu. (Please refer to your TV's owner's manual.)



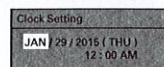
If the TV is connected by an HDMI cable, it may take a while for the "Initial Setup" menu to come up.

6 Use [▲/▼] to select your desired language, then press [OK].

7 Use [▲/▼] to select calendar or time, then press [OK].



8 Use [◀▶] to select an item to set, and use [▲/▼] to select the contents to suit your preference, then press [OK] when you finish setting all the contents.



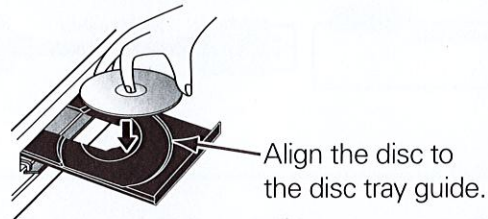
Your setting will be activated.
The clock starts counting when you press [OK].

5. Record(DVD)

This Recorder only record on DVD-RW/-R, cannot record on DVD+RW/+R.

Press [DVD] first.

1 Insert a recordable disc (refer to page 24 in the Owner's Manual on how to insert a disc).



2 Press [REC MODE] repeatedly to select a recording mode.

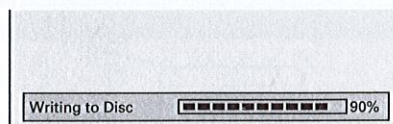
3 Press [INPUT SELECT] to select the appropriate external input position (L1/L2) to which your external tuner is connected. Then select the desired channel to record on the external tuner.

4 Press [REC] to start recording.

5 Press [■] to Stop recording.

The title list will appear automatically after writing to a disc is completed.

e.g.) DVD-R



• Press [■] to exit the title list.

You will need to finalize DVD-RW or DVD-R to play them back on other DVD players. Refer to page 42 in the Owner's Manual on how to finalize a disc.

Quick Start

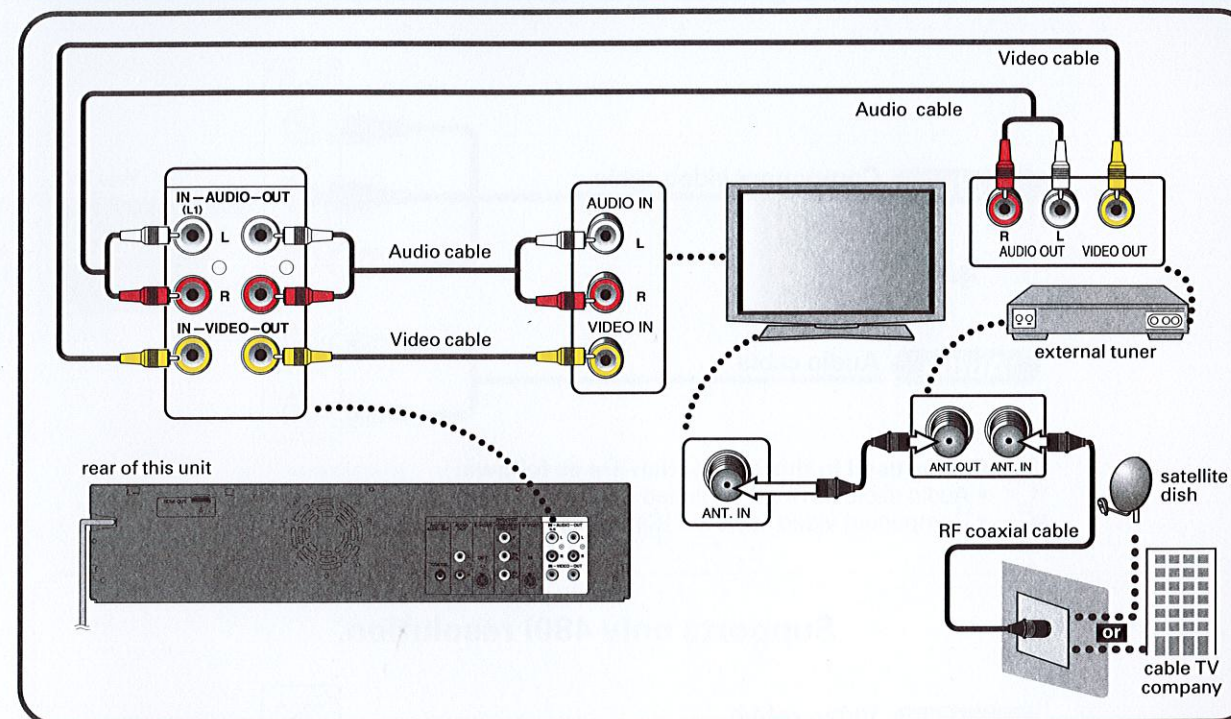
SANYO

FWZV475F

DVD Recorder/VCR LINE-IN RECORDING (No Tuner)

1. Connecting to an External Tuner ▶ 2. Select ▶ 3. Connect ▶ 4. Prepare ▶ 5. Record (DVD)

1. Connecting to an External Tuner



For more info, please contact **1-866-212-0436** or visit : **sanyo-av.com**



Please read the supplied Owner's Manual for the detailed instructions.

SANYO is a registered trademark of SANYO Electric Co., Ltd. and is used by Funai Electric Co., Ltd. and Funai Corporation, Inc. under license from SANYO Electric Co., Ltd.

Any liability related to SANYO products, including design and quality, is the sole responsibility of Funai Electric Co., Ltd. and Funai Corporation, Inc. Please contact Funai Corporation, Inc. for any questions or claims related to SANYO products: 1 866 212 0436 sanyo-av.com



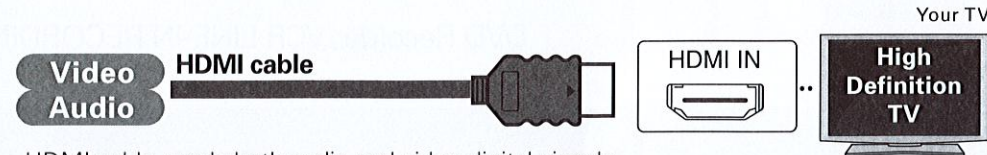
Printed in China
E9P8GUH
2VMN00194 ★★★★★

* 2 V M N 0 0 1 9 4 *

2. Select

Best

Progressive-compatible (1080p)

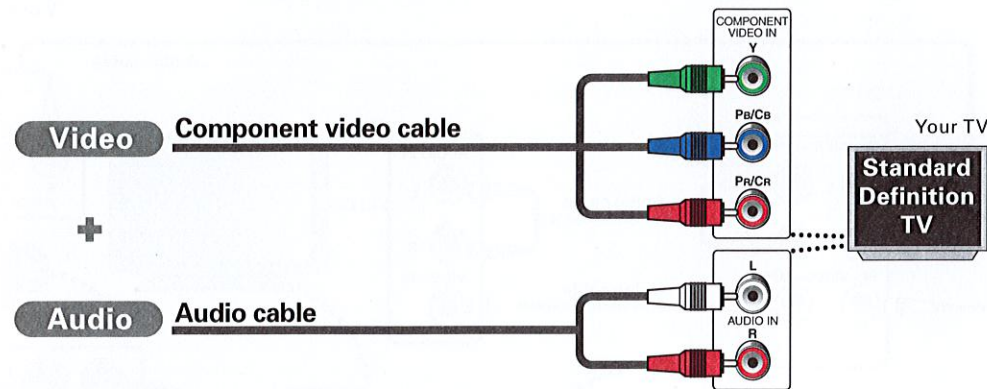


HDMI cable sends both audio and video digital signals. (No additional audio connection is required.)

- HDMI cable not included.**
- High Speed HDMI Cable (also known as HDMI category 2 cable) is recommended for the better compatibility.

Better

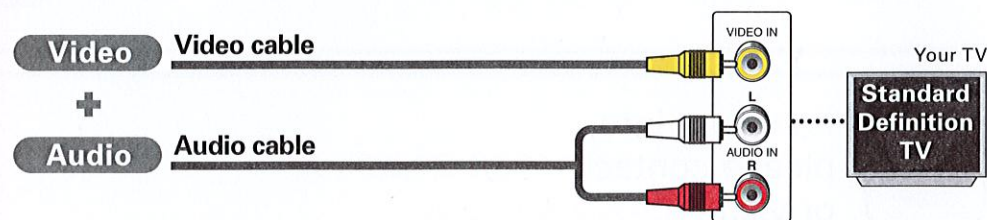
Progressive-compatible (480p)



- Cables used in this connection are as follows:**
- Audio cable (L/R) x 1 (Included)
- Component video cable x 1 (Cable not included.)

Good

Supports only 480i resolution.

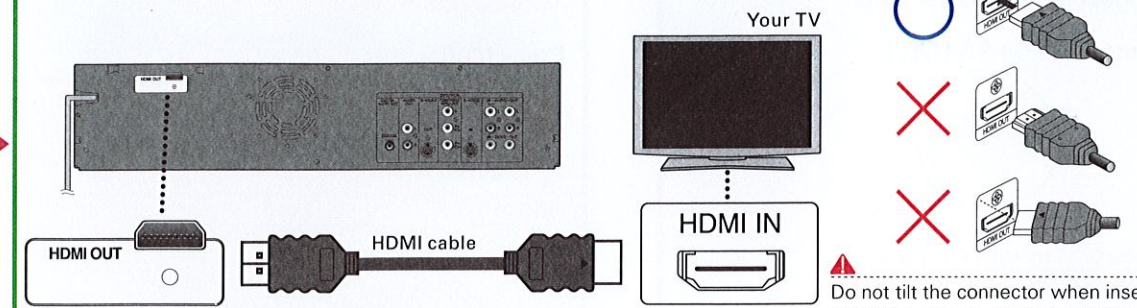


Refer to "Connecting to a TV with an S-Video Input Jack" on page 17 in the Owner's Manual for the connection using an S-video cable.

- Cables used in this connection are as follows:**
- Audio cable (L/R) x 1 (Included)
- Video cable x 1 (Included)

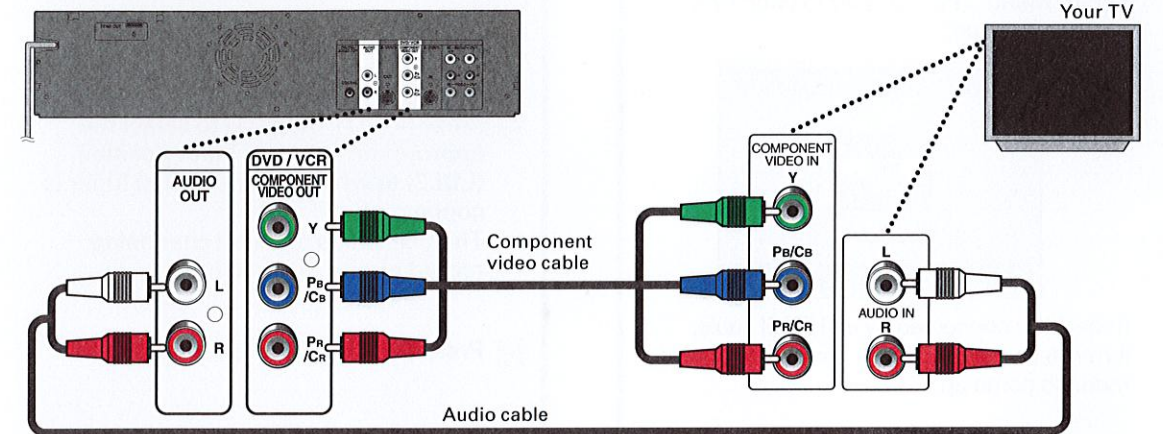
3. Connect

HDMI Cable

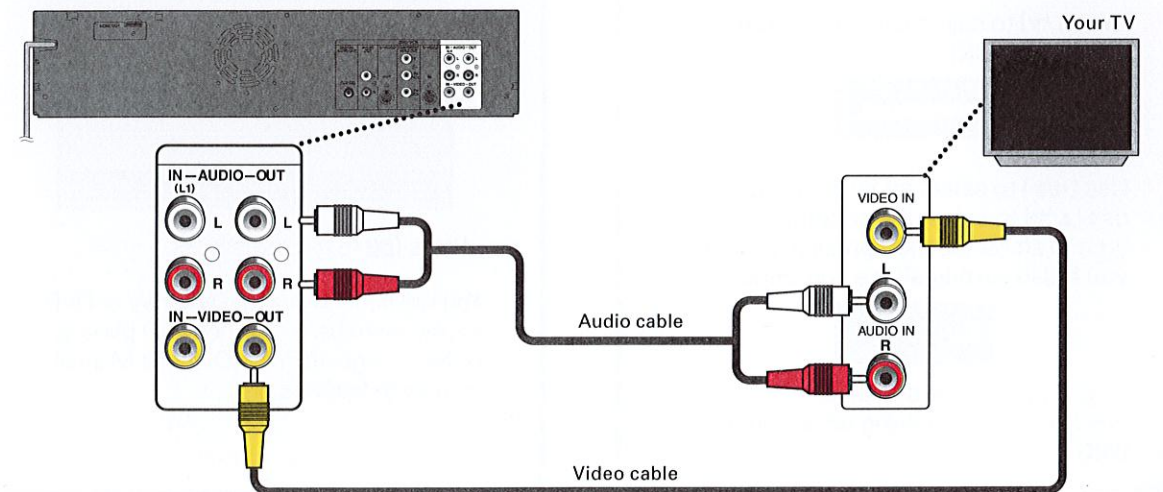


Do not tilt the connector when inserting it into the HDMI jack, and make sure the shapes of the jack and the connector are matched.

Component Video Cable and Audio Cable



Video Cable and Audio Cable



For more info, please contact **1-866-212-0436** or visit : **sanyo-av.com**



Please read the supplied Owner's Manual for the detailed instructions.